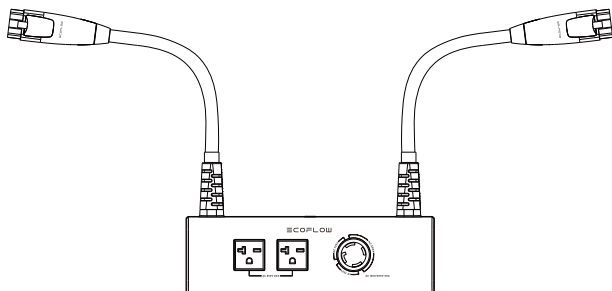


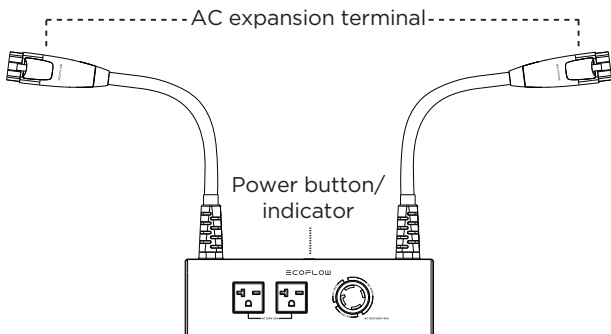
EcoFlow DELTA Pro

(Double Voltage Hub)



ECOFLOW

Product illustration

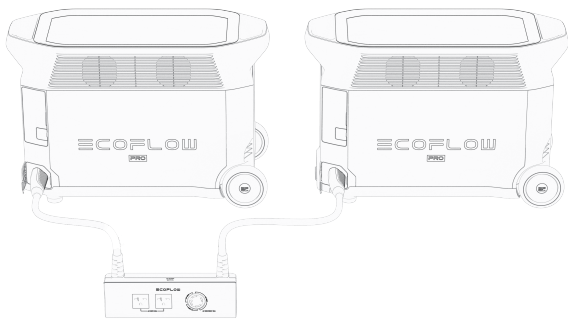


Product information

- Model number: EFD500-PR
- Output voltage: 240 V , 60 Hz
- Maximum input/output power: 7200 W max, 30 A max
- Input voltage: 120 V , 60 Hz
- Operating temperature: -10°C to 45°C (14°F to 113°F)

Operating instructions

- The power indicator will flash when the AC expansion terminal is plugged into the DELTA Pro's Infinity Port
- When both are plugged in, the DELTA Pro will display the connection icon and the power indicator will go out
- Press the Power Button to turn on the machine



Tip: connector locations need to be aligned accurately and locked.

Safety tips

- Ensure that the product is fitted together with the DELTA Pro connectors before use;
- Ensure the voltage range of the appliance before use to prevent overvoltage from burning out the appliance;
- It is strictly forbidden to allow this product to come into contact with any liquid. Do not immerse this product in water or get it wet.

Frequently asked questions

- Can the DELTA Pro be used normally after connecting?
Yes
- After connecting, can the EcoFlow DELTA Pro power pack and EcoFlow Smart Generator be connected for capacity expansion purposes?
Yes

FCC STATEMENT:

This device complies with Part 15 of the FCC Rules. Operation is subject to the following two conditions:

- (1) This device may not cause harmful interference, and
- (2) This device must accept any interference received, including interference that may cause undesired operation.

Warning:

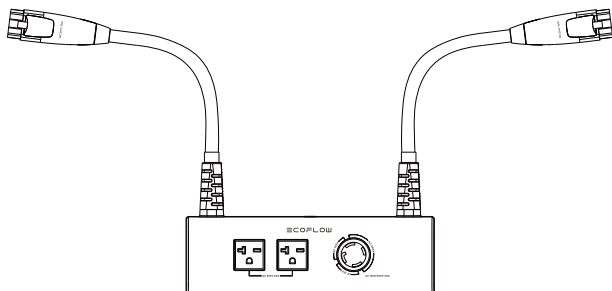
Changes or modifications not expressly approved by the party responsible for compliance could void the user's authority to operate the equipment.

NOTE:

This equipment has been tested and found to comply with the limits for a Class A digital device, pursuant to part 15 of the FCC Rules. These limits are designed to provide reasonable protection against harmful interference when the equipment is operated in a commercial environment. This equipment generates, uses, and can radiate radio frequency energy and, if not installed and used in accordance with the instruction manual, may cause harmful interference to radio communications. Operation of this equipment in a residential area is likely to cause harmful interference in which case the user will be required to correct the interference at his own expense.

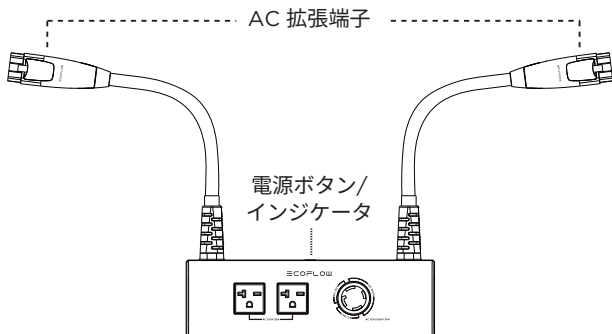
EcoFlow DELTA Pro

(Double Voltageハブ)



ECOFLOW

各部の説明

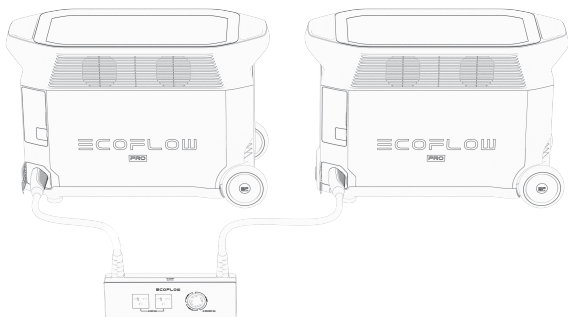


スペック

- モデル名：EFD500-PR
- 出力電圧：200 V , 50/60 Hz
- 最大入力/出力：
最大 6000 W、最大 30 A
- 入力電圧：100 V , 50/60 Hz
- 動作温度：-10 °C ~ 45 °C

操作説明

- AC拡張拡張端子をDELTA Proのインフィニティポートに接続すると、Double Voltageハブの電源インジケータが点滅します
- 両方のプラグを差し込むと、DELTA Proの液晶パネルではダブル電力インジケータが表示され、Double Voltageハブの電源インジケータが消えます
- 電源ボタンを押して、本製品に電源を入れます



注意点：コネクタの位置を正確に合わせてロックする必要があります。

安全に使用するため

- 使用前に、本製品が DELTA Proのインフィニティポートにしっかりと接続されていることをご確認ください。
- 過電圧による発火を防止するため、使用前に電気製品の電圧範囲を確認してください。
- 本製品を液体に接触させないでください。水に浸したり濡らしたりしないでください。

よくあるご質問

- DELTA Pro は、接続後通常どおりに使用できますか？
はい
- 接続後、容量拡張の目的で、DELTA Pro本体と EcoFlow スマート発電機を接続することはできますか？
はい

ECOFLOW