

Specs

Power Hub

Net Weight	31 lbs / 14 kg
Dimensions	11.8 x 18.9 x 5.5 in / 30 x 48 x 14 cm
Tests and Certification	CE, UL, FCC, EMC Class A
Wi-Fi	Supported
Bluetooth	Supported

OUTPUT

AC Main Output/Frequency	Pure Sine Wave, 3600W (surge 7200W), 120V, 50Hz/60Hz
DC Main Output	12V/70A 1000W Max; 24V/60A, 1500W Max

INPUT

AC Main Input	X-Stream Fast Charging 3000W Max, 30A Max
AC Main Input Voltage/frequency	85-144V, 50Hz/60Hz
Solar Charging Input	15-60V, 30A, 1600W Max
Alternator Charging Input	13-60V, 60A, 1600W Max

TEMPERATURES

Best Operating Temperature	68°F - 86°F
Discharge Temperature	-13°F - 140°F
Charge Temperature	-13°F - 140°F
Storage Temperature	-13°F - 140°F

2kWh LFP Battery

Capacity	2048Wh (51.2V, 40Ah)
Cell Chemistry	Lithium Iron Phosphate
Cycle Life	3000+ Cycles (Afterwards at 80% Capacity)
Operating Temperature	-4°F - 122°F
Dimensions	11.2 x 13.7 x 7.8 in / 28.4 x 34.8 x 19.8 cm
Net Weight	37.7 lbs / 16.8 kg
Protection Level	IP54
Tests and Certifications	CE, UL, FCC, IC, UN38.3, EMC Class B

5kWh LFP Battery

Capacity	5120Wh (51.2V, 100Ah)
Cell Chemistry	Lithium Iron Phosphate
Cycle Life	3500+ Cycles (Afterwards at 80% Capacity)
Operating Temperature	-4°F - 122°F
Dimensions	11.8 x 19.7 x 10.2 in / 30 x 50 x 26 cm
Net Weight	89.5 lbs / 41kg
Protection Level	IP54
Tests and Certifications	CE, UL, FCC, IC, UN38.3, EMC Class B

AC/DC Smart Distribution Panel

AC Main Input	30A Max, 3600W
DC Main Input	70A Max
AC Output	6 AC Positions, 20A Max Each
DC Output	12 Fused DC Positions (6 Positions controllable via Power Kit Console & APP)
Operating Temperature	-13°F - 113°F
Dimensions	8.3 x 14.3 x 3.9 in / 21 x 35.4 x 9.8 cm
Net Weight	5.8 lbs / 2.6 kg
Protection Level	IP21
Tests and Certifications	CE, UL, FCC, EMC Class B

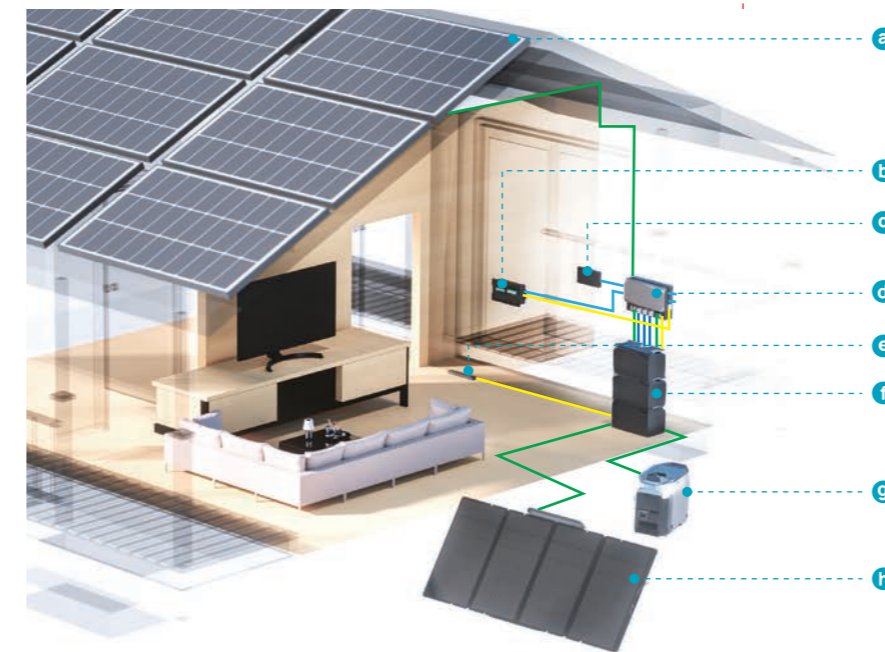
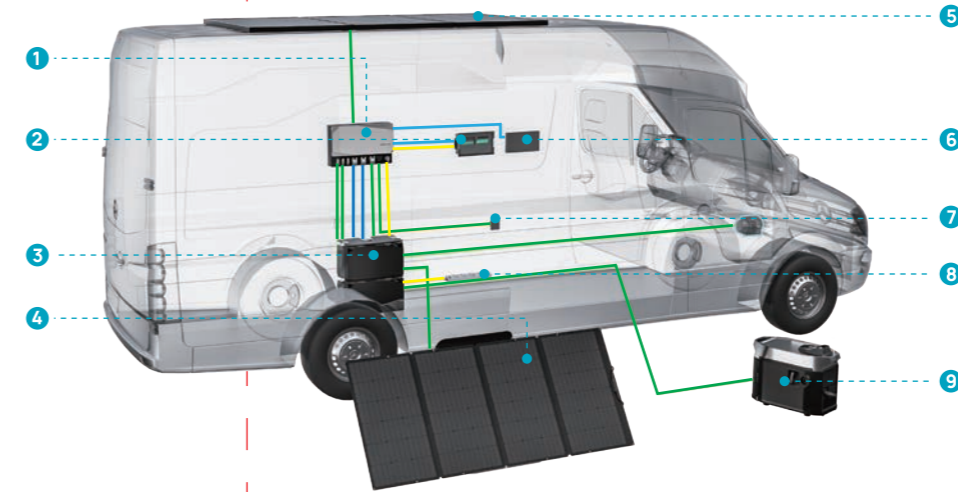
Power Kit Console

Touch Screen (Diagonal Measurement)	7 Inch (8 x 4.5 in) (Width x Height)
Power Supply Voltage	12 VDC
Operating Temperature	-13°F - 113°F
Dimensions	4.5 x 8 x 0.9 in / 11.3 x 20.5 x 2.2 cm
Net Weight	1 lb / 0.45 kg
Tests and Certifications	CE, UL, FCC, EMC Class B

HOW IT ALL FITS TOGETHER.

Vans / RVs

- 1 EcoFlow Power Hub
- 2 EcoFlow AC/DC Smart Distribution Panel
- 3 EcoFlow 5kWh LFP Battery
- 4 EcoFlow 400W Portable Solar Panel
- 5 EcoFlow 100W Rigid Solar Panel
- 6 EcoFlow Power Kit Console
- 7 Shore Power Inlet
- 8 Power Strip
- 9 EcoFlow Smart Generator



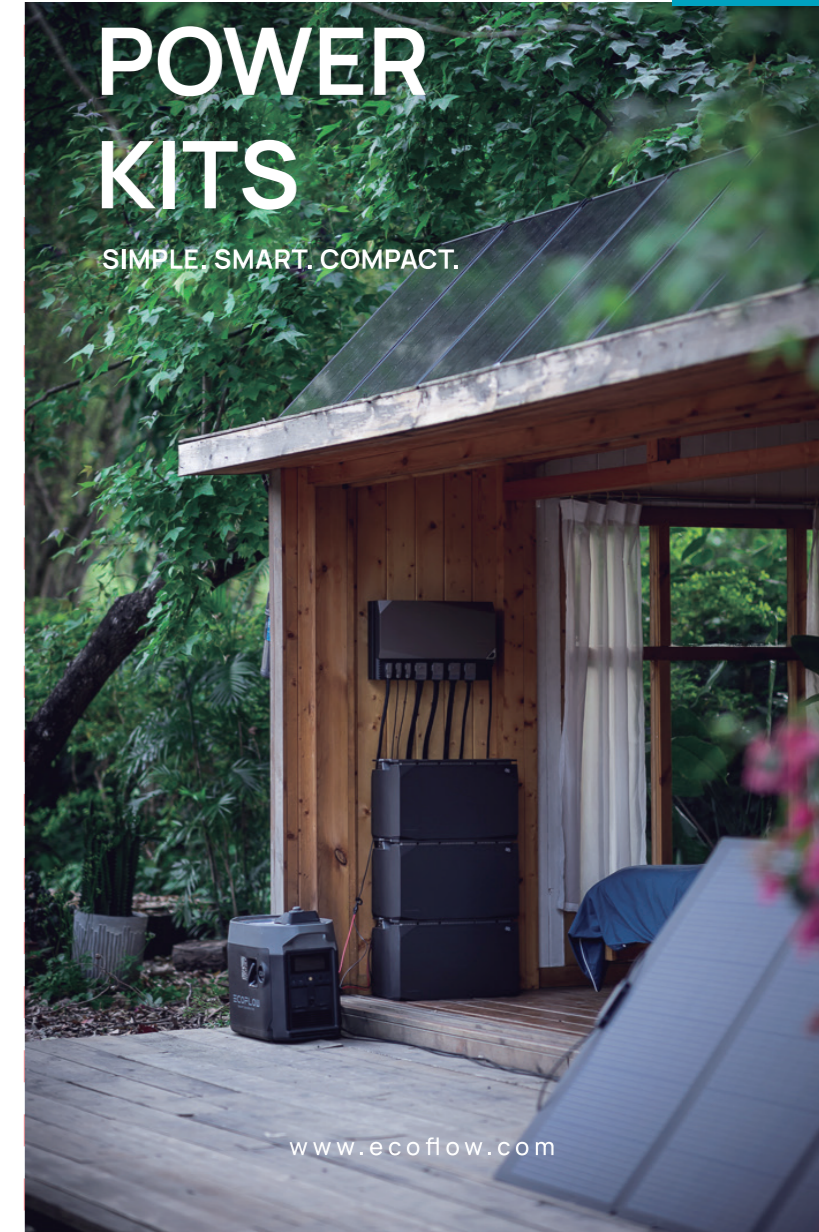
Off-grid Builds

- a EcoFlow 400W Rigid Solar Panel
- b EcoFlow AC/DC Smart Distribution Panel
- c EcoFlow Power Kit Console
- d EcoFlow Power Hub
- e Power Strip
- f EcoFlow 5kWh LFP Battery
- g EcoFlow Smart Generator
- h EcoFlow 400W Portable Solar Panel

ECOFLOW

ECOFLOW POWER KITS

SIMPLE. SMART. COMPACT.



WHAT ARE ECOFLOW POWER KITS?

EcoFlow Power Kits are compact modular power solutions that make creating and installing an off-grid solar system that matches your energy needs easier than ever. Combine up to 15kWh of EcoFlow LFP batteries with an EcoFlow Power Hub, solar panels, and much more.



WHO ARE POWER KITS FOR?

Vans / RVs / Trailers



Compact

Save space in your RV. Less components. Thinner wires.



Simple Set Up and Expandable

Capacities from 2-15kWh. Convenient plug and play set up.



Multiple Charging Methods

Stop for shore power less often with solar and alternator charging.



Off-grid Builds / Tiny Houses



48V System

Less heat transferred. Thinner wires. Higher efficiency.



Fully Expandable

Get your setup right with your choice of solar and batteries.



4800W Solar Input For Off-grid Living

Live with renewable energy. Power Hub allows solar input of up to 4800W with three ports. Each support up to 1600W solar input.



THE KEY COMPONENTS.

EcoFlow Power Hub

The Power Hub is the heart of your Power Kit. It does the job of 5 components, including 2 MPPT solar charge controllers, a DC-DC battery charger with MPPT, a DC-DC step-down converter, and an inverter charger. This saves you valuable space in your RV or off-grid build and makes set up simple.

EcoFlow 2kWh/5kWh LFP Batteries

Power Kits use EcoFlow's 2kWh or 5kWh LFP batteries, expandable to 15kWh to match your consumption needs. They're stackable with a built-in BMS and auto-heating for cold environments too. Save space, and stay safe.

EcoFlow AC/DC Smart Distribution Panel

Link your appliances with the Smart Distribution Panel's 6 AC positions and 12 DC positions. Get control of up to 6 DC positions with the EcoFlow App to monitor, control, and view your energy usage from afar.

EcoFlow Power Kit Console/EcoFlow App

Control, monitor, and view your power consumption using the Console or from the comfort of your phone with the EcoFlow App.

EcoFlow Solar Panels

Charge your batteries with EcoFlow's line of solar panels. Supporting up to 4800W of solar input, you can pick and choose the amount of solar you need to charge anywhere.

KEY FEATURES.



Save Space

EcoFlow Power Hub combines two MPPT solar charge controllers, one battery charger with MPPT, one DC-DC step-down converter, and an inverter-charger. With fewer modules and thinner wires, this 48V system saves you space and installation hassle.



Simple Set Up

The integrated EcoFlow Power Hub has a simple plug-and-play design, allowing you to expand and customize your kit faster than any other power solution on the market.



Charge Your Way

EcoFlow Power Kits support multiple charging methods that can be combined to charge up to 15kWh. Get plenty of solar power, use your alternator, plug in shore power, or even use an EcoFlow Smart Generator in an emergency.



Safety First

With built-in BMS, each battery is protected from over-voltage and high current, all while balancing multiple battery cells. In addition, the system's 48V design is efficient and creates less heat offering a safer electrical system for your RVs or off-grid builds.



EcoFlow Technology Ltd.

Know More About Us
Web: ecoflow.com

Partnered with
SatellitePhoneStore.com

